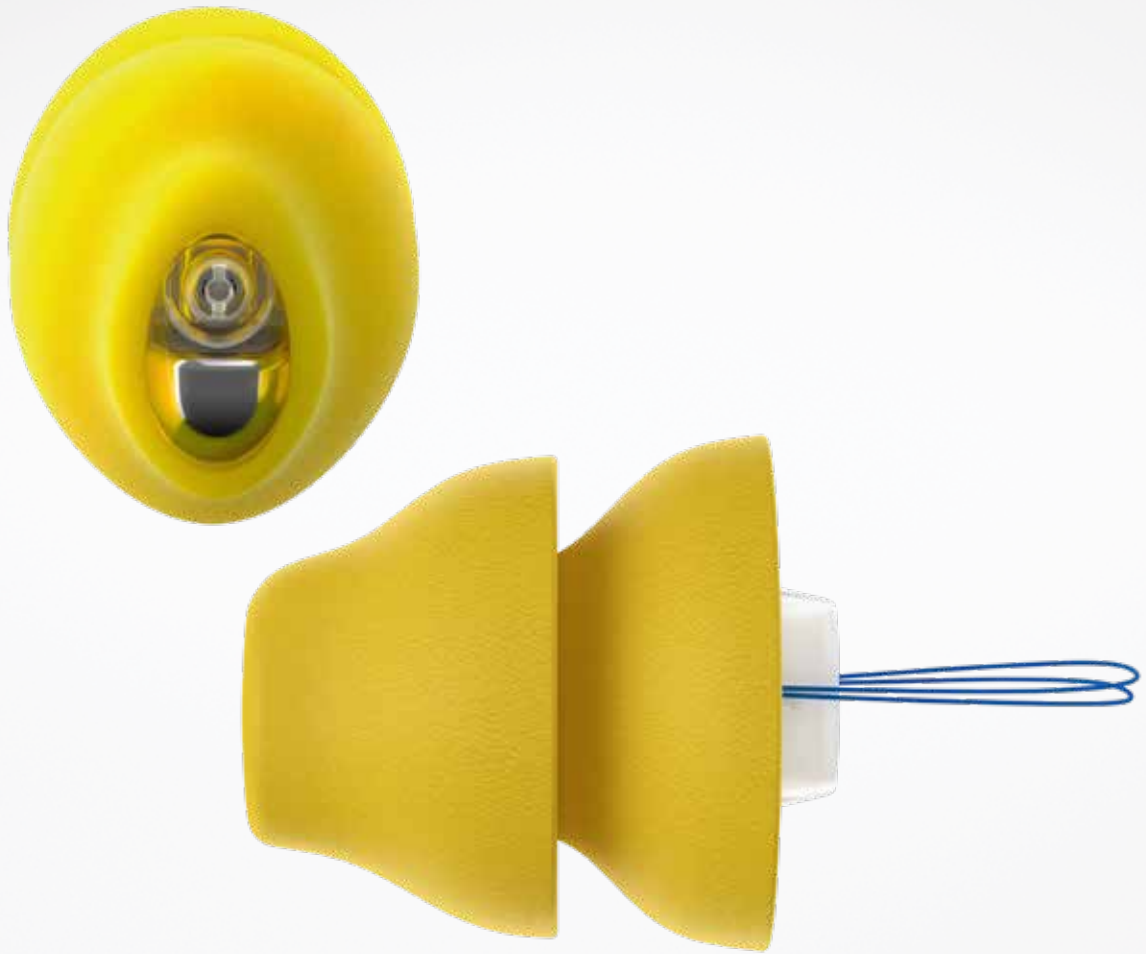


Phonak Lyric™ 4



The only 100% invisible, 24/7 hearing aid

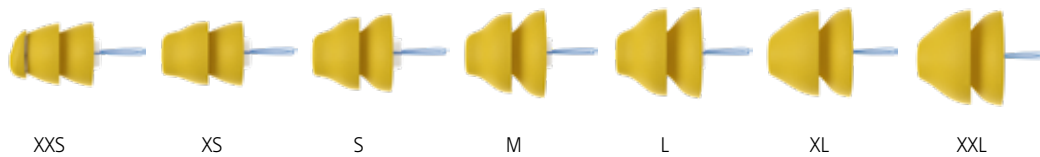
For more information visit www.phonakpro.com

Lyric4 has been designed to deliver more of what you and your clients love

The new components of Lyric4 are designed to further improve reliability, especially during the first 30 days of wear. The diameter of the medial portion of the module has been slightly reduced to improve comfort and fitting rate for your clients.

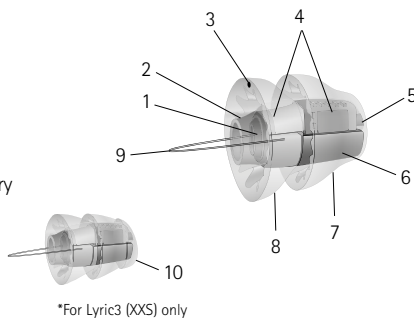
Lyric is an extended wear hearing aid that can be worn 24 hours a day, 7 days a week for months at a time¹. Due to the deep placement inside the ear canal, it is 100% invisible. Lyric doesn't require its batteries be to changed or charged, no on-going maintenance and no daily insertion or removal is necessary. Lyric is available in 7 sizes, ranging from XXS to XXL, allowing clients and Hearing Care Professionals to benefit from its unique extended wear technology.

Portfolio

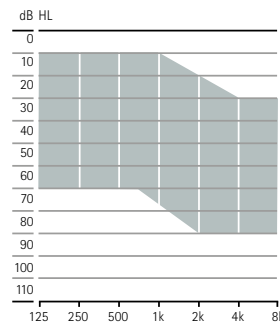


Technical description

- 1 Insertion handle
- 2 Microphone protection
- 3 "This side up" indication
- 4 Microphone and signal processor
- 5 Receiver
- 6 Zinc-air, mercury free battery
- 7 Medial seal
- 8 Lateral seal
- 9 Removal loop
- 10 *Medial protection seal

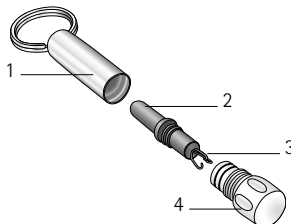


Fitting range



SoundLync™

- 1 Keychain housing
- 2 Magnet
- 3 Removal tool
- 4 Cap



Fitting

Software	Phonak Target 6.2 or higher
Interface	Lyric programming wand ²

¹ Individual replacement needs may vary. Duration of device battery life varies by patient and is subject to individual ear conditions.

² Lyric programming wand or Lyric3 programming wand.

Frequently Asked Questions

What is new?

Lyric4 is an evolution of Lyric3 to improve reliability, especially during the first 30 days of wear. This is due to the new medial port receiver protection and other improvements both in the electronic components' architecture and the encapsulation. The medial portion of the module is slightly thinner too.

What are the advantages of the deep canal placement?

With a receiver placed deep in the canal - only 4 mm from the tympanic membrane - Lyric is designed to maintain directionality and localization, minimizing the space between the device and the tympanic membrane to reduce occlusion. Earbuds and telephone can be used in the normal way. Lyric wearers benefit from increased ease-of-use thanks to the Lyric technology with no daily insertion or removal and no change of batteries.

How is the battery changed?

Lyric is a disposable hearing aid designed for single insertion. Once the battery has depleted, the hearing aid is removed and then replaced with a completely new Lyric hearing aid by a Certified Lyric Fitter.

Who is a Lyric candidate?

A Certified Lyric Fitter will evaluate candidacy based on four main criteria:

1. hearing loss within a mild to moderately-severe fitting range
2. medical history and conditions
3. ear geometry and anatomical features
4. lifestyle (motivation level, limitation not to swim underwater or skydive / scuba dive when wearing a device)

How do I fit Lyric?

Lyric is placed in the ear canal residing 4 mm from the tympanic membrane. To ensure a comfortable and accurate fitting, each hearing care professional will be trained to use specifically designed measurement and placement tools. First, the length and diameter of the ear canal is measured to determine the correct insertion depth and device size. The hearing aid is then programmed and placed in the ear canal. Fine-tuning can then be performed, using the programming wand.

How do I program Lyric?

Lyric is programmed with Phonak Target fitting software using the programming wand.

The fitting parameters are transferred to the hearing aid using a magnetic impulse. For programming, the wand has to be placed close to the microphone protection of the hearing aid.

Is Lyric waterproof?

Lyric is water resistant, not waterproof, and should not be completely submerged underwater unless the patient is wearing a custom made earplug to protect it from water exposure.

What activities cannot be done with Lyric?

Lyric must not be worn while diving underwater or skydiving. Pressure changes from these activities may cause discomfort and/or feedback if Lyric moves in the ear canal. If these activities are done accidentally while wearing Lyric, a Certified Lyric Fitter must examine the ear canal.

Will an MRI scan, X-ray, or CT scan damage Lyric or place the ear at risk?

Lyric must be removed before having an MRI scan because the hearing aid contains metallic parts. Unlike an MRI scan, an X-ray or CT scan will not damage or dislodge the hearing aid because a magnet is not used. However, the physician and/or technician should be informed about the hearing aid. If an X-ray or CT scan of the ear or head is needed, the hearing aid may need to be removed. The physician should also be informed about Lyric if the wearer is having surgery of any kind.

Can the wearer remove the hearing aid?

It is recommended to have the hearing aid removed by a Lyric trained hearing care professional. If necessary the wearer can remove Lyric with the provided removal tool.

Can the wearer change the hearing aid settings?

Lyric is wirelessly programmed for the individual hearing loss of the wearer. The wearer is able to change the volume and switch the hearing aid on, off or into sleep mode with the SoundLync remote control magnet. The SoundLync also functions as a removal tool if the wearer wishes to remove the Lyric hearing aid(s).

What is SLEEP mode?

SLEEP mode is a setting for acoustic transparency. In this setting, Lyric compensates for the damping caused by the hearing aid itself. For the wearer, it is as if they are not wearing a hearing aid.

life is on

At Phonak, we believe that well-hearing equates to well-being and is essential to living life to the fullest. For more than 70 years, we have remained passionate about creating a world where 'life is on' for everyone. Our innovative hearing solutions are designed for people of all ages and all degrees of hearing loss, to connect socially, thrive mentally and grow emotionally.

www.phonak.com



027-0588-02/M1.00/2020-03/ja © 2020 Sonova AG All rights reserved